

CX35D



MINI EXCAVATORS D-Series



Engine V1505

Engine power 18.5 kW - 25.2 hp

Operating weight with canopy 3350 kg

Operating weight with cab 3500 kg

SPECIFICATIONS

CX35D

ENGINE

Type _____ KUBOTA V1505 - STAGE 5
 Max. Power (2200 rpm) (kW / hp) _____ 18.5 - 25.2
 Displacement (cm³) _____ 1498
 Number of cylinders (n°) _____ 4
 Cooling _____ Liquid
 Consumption (l/h) _____ 3.5
 Alternator (V) _____ 12 (40 A)
 Battery V (Ah) _____ 12 (74)

HYDRAULIC SYSTEM

Circuit Type _____ Load Sensing closed center system
 with "Flow Sharing" control valve
 Pump type _____ 1 LS variable pump + 1 gear pump
 Pump displacement (cm³) _____ 48 + 5
 Pump capacity (l/min) _____ 105 + 10
 Max. circuit calibration pressure (bar) _____ 250
 Auxiliary system (max pressure):
 AUX 1 single or double effect
 with priority (l/min) _____ 50 - 200 bar
 AUX 2 double effect (optional) (l/min) _____ 35/20 - 250 bar
 AUX 3 double effect (optional) (l/min) _____ 35/20 - 250 bar

SLEWING & TRAVEL SPEED

Travelling speed
 (AUTO TWO SPEED) (km/h) _____ 1st : 0 ÷ 2.5 / 2nd : 0 ÷ 4.6
 Slew speed (rpm) _____ 11

CONTROLS

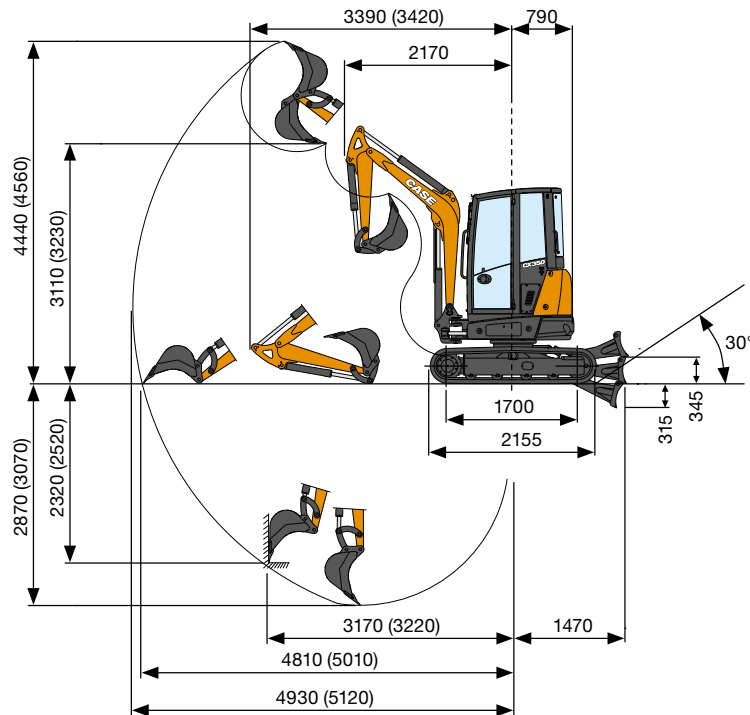
Boom, dipper stick, bucket and turret swing _____ 2 pilot joysticks
 Track movements (included counter rotation) _____ 2 pilot levers
 Dozer blade _____ pilot lever
 Priority auxiliary system with holding function
 AUX 1 (single or double effect) _____ electroproportional
 switch on right joystick
 Auxiliary system AUX 2 (double effect) _____ electroproportional
 switch on left joystick
 Boom swing _____ electroproportional switch on left joystick

OPERATING WEIGHT

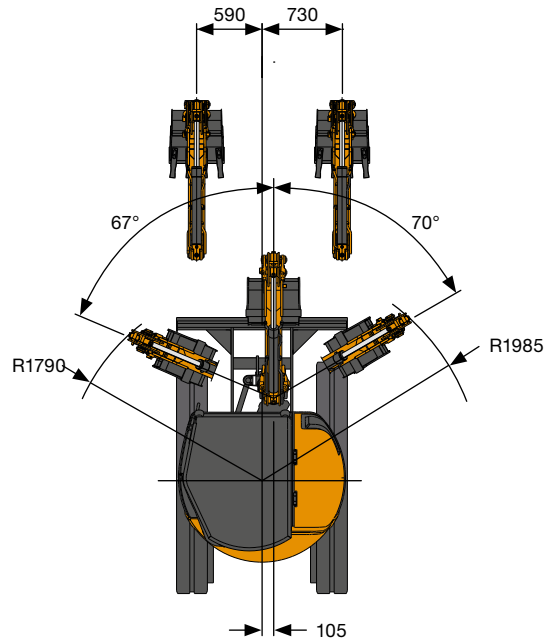
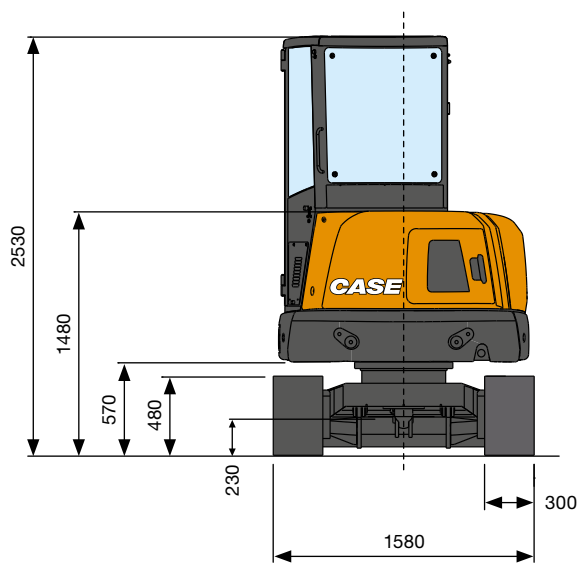
Operating weight with canopy* (kg) _____ 3350
 Operating weight with cab* (kg) _____ 3500
 *with rubber tracks

CIRCUIT AND COMPONENT CAPACITIES

Fuel tank (l) _____ 45
 Hydraulic oil tank (l) _____ 30
 Hydraulic circuit capacity (l) _____ 54
 Cooling system capacity (l) _____ 7.5
 Engine oil (l) _____ 7



| PERFORMANCE DATA | | Std. Arm 1200 mm | Opt. Arm 1400 mm |
|--|--------------------|---------------------|---------------------|
| Max. digging depth | mm | 2870 | 3070 |
| Max. dumping height | mm | 3110 | 3230 |
| Bucket breaking force | daN | | 3100 |
| Arm breaking force ISO 6015 | daN | | 1750 |
| Traction force | daN | | 3400 |
| Ground bearing pressure with rubber tracks and canopy (with cab) | kg/cm ² | | 0.33 (0.34) |
| Max. slope | | | 60% - 30° |



GENERAL DIMENSIONS

| | | |
|--|----|-------------|
| Maximum width | mm | 1580 |
| Total height | mm | 2530 |
| Tracks width | mm | 300 |
| Rear rotation radius | mm | 790 |
| Digging arm length standard (optional) | mm | 1200 (1400) |
| Rollers number (for each side) | n° | 4/1 |

LIFTING CAPACITY

CX35D

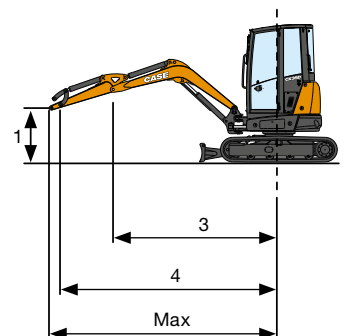
Standard dipper stick L = 1200 mm
(Optional dipper stick L = 1400 mm)

Opening arm from the rotation's center (m)
Lifting capacity (kg) at 1.0 m height

| LIFTING CAPACITY | 3 | 4 | Max |
|---------------------------------|------|------|------|
| Frontal and lowered dozer blade | 870* | 650* | 630* |
| Frontal and lifted dozer blade | 870* | 650* | 630* |
| Lateral, open undercarriage | 690 | 470 | 430 |

* Indicates the hydraulic load limit.

The lifting capacity is based on the ISO 10567 and it does not exceed more than the 75% of static tipping load or more than the 87% of the hydraulic lifting capacity of the machine.



STANDARD AND OPTIONS

STANDARD EQUIPMENT

- + Tilttable Cab/Canopy (ROP/TOPS - FOPS Level 1)
- + Automatic Courtesy light
- + Electric socket on the roof for Rotating Beacon
- + Windshield washer
- + Rear-view mirrors (left, right)
- + Fabric seat with Mechanical suspension (cab)
- + Vinyl seat with Mechanical suspension (canopy)
- + Standard arm
- + Boom Lift cylinder and dozer blade cylinder protection
- + Standard counterweight
- + Air Filter with drain valve and electric anti-clogging indicator
- + Servo-assisted hydraulic joysticks with Electro-Hydraulic proportional controls
- + Electro-Hydraulic proportional Swing control
- + 1st Auxiliary (AUX1) circuit with Electro-Hydraulic proportional control
- + AUX1 circuit maximum flow mechanical setting
- + Mechanical diverter between Single effect and Double effect AUX1
- + 2 speed travel with Automatic Shift Down (from 2nd to 1st gear if more traction is required) and Shift-up
- + Rubber tracks
- + Standard Dozer Blade
- + Operator manual
- + Ignition key, which opens every machine lock
- + Standard LED working lights (boom)
- + Battery disconnect switch
- + Variable Volume Pump
- + Standard Hydraulic oil and Lubricants

OPTIONAL EQUIPMENT

- + Air conditioning and Heating
- + DAB Radio, Bluetooth, USB, Memory card SD/SDHC, Aux-in (cab only)
- + Anti-Theft
- + Fabric seat with Pneumatic suspension (cab)
- + Travel alarm
- + Long arm
- + Additional counterweight
- + Electric fuel refill pump
- + AUX1 circuit maximum flow setting with potentiometer
- + 2nd Auxiliary (AUX2) circuit with Electro-Hydraulic proportional control
- + 3rd Auxiliary (AUX3) circuit with Electro-Hydraulic proportional control
- + Grapple provision (AUX3 with flow diverter from bucket cylinder)
- + Direct Drainage to tank
- + Block valves on dozer blade cylinder
- + Object handling kit (block valves on boom and arm, lifting hook and load chart)
- + Electronic Proportional RPM control with Auto-Idle
- + Steel tracks
- + Dozer Float
- + Extra LED working lights (cab-front and cab-rear)
- + Rotating beacon
- + Case Sitewatch
- + Bio Hydraulic oil and Lubricants
- + Automatic Centralized Lubrication
- + High Flow provision (i.e. for Mulcher)
- + Hydraulic quick coupler provision (Single or Double Effect)
- + Mechanical and Hydraulic quick couplers
- + Buckets

CASE AFTERMARKET SOLUTIONS

- + Superior Protection grid (FOPS Level 2)
- + Front Protection grid (Level 2)
- + Arm cylinder and bucket cylinder protection
- + Pattern change ISO-SAE
- + Rubber pads for steel tracks
- + Vast variety of attachments
- + Full range of Mechanical and Hydraulic quick couplers
- + Full range of Buckets

CNH Industrial
Deutschland GmbH
Case Baumaschinen
Benzstr. 1-3 - D-74076 Heilbronn
DEUTSCHLAND

CNH Industrial
Maquinaria Spain, S.A.
Avenida Aragón 402
28022 Madrid - ESPAÑA

CNH Industrial France, S.A.
16-18 Rue des Rochettes
91150 Morigny-Champigny
FRANCE

CNH Industrial Italia Spa
via Plava, 80
10135 Torino
ITALIA

CASE Construction Equipment
Cranes Farm Rd
Basildon - SS14 3AD
UNITED KINGDOM

NOTE: Standard and optional fittings can vary according to the demands and specific regulations of each country. The illustrations may include optional rather than standard fittings - consult your Case dealer. Furthermore, CNH Industrial reserves the right to modify machine specifications without incurring any obligation relating to such changes.

Conforms to directive 2006/42/EC

CASECE.COM
00800-2273-7373

The call is free from a land line.
Check in advance with your Mobile Operator if you will be charged. Toll free number not available from all calling areas.